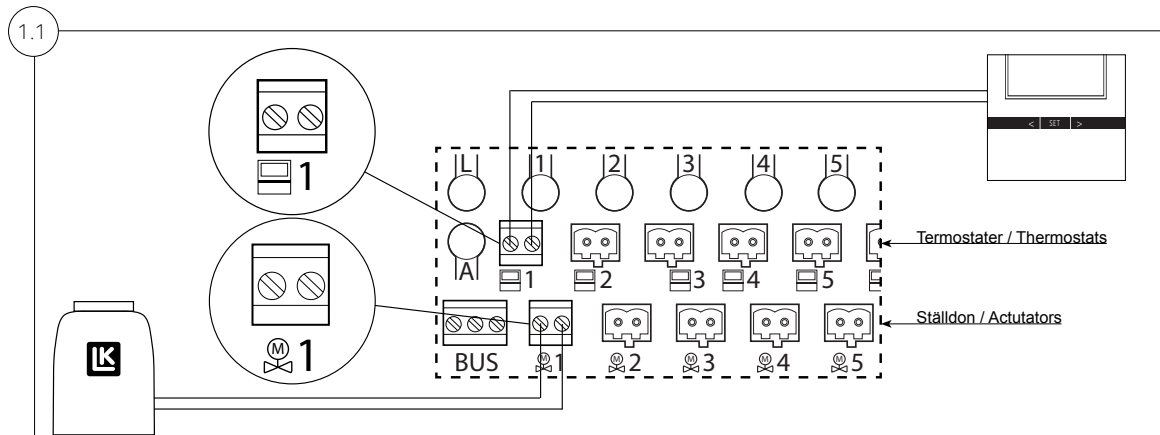


Installation of ICS.2 Systems

Connecting actuators and wired thermostats

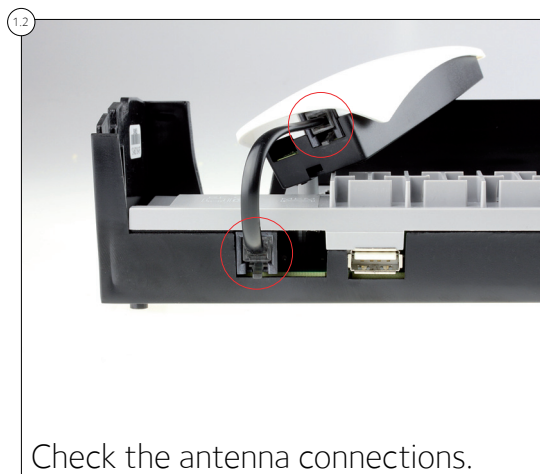


Connect the actuators to the lower row of connectors in the receiver unit. The connectors for the actuators are marked **1-8**.

Up to three actuators can be connected to one connector.

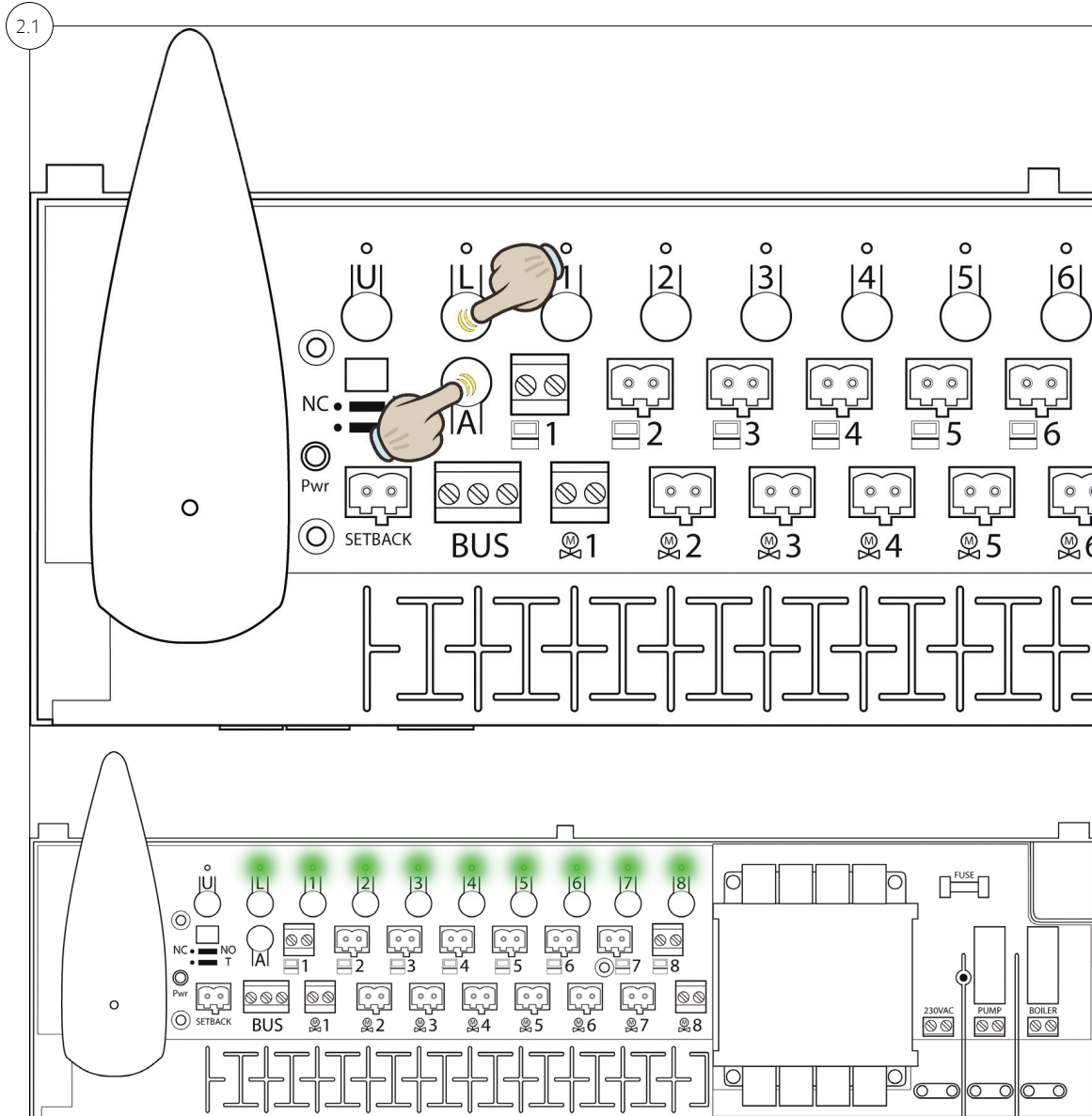
If wired thermostats are to be used in the system, these should be connected to the upper row in the receiver unit. The connectors for the thermostats are marked **1-8**.

A maximum of one thermostat per thermostat connector.



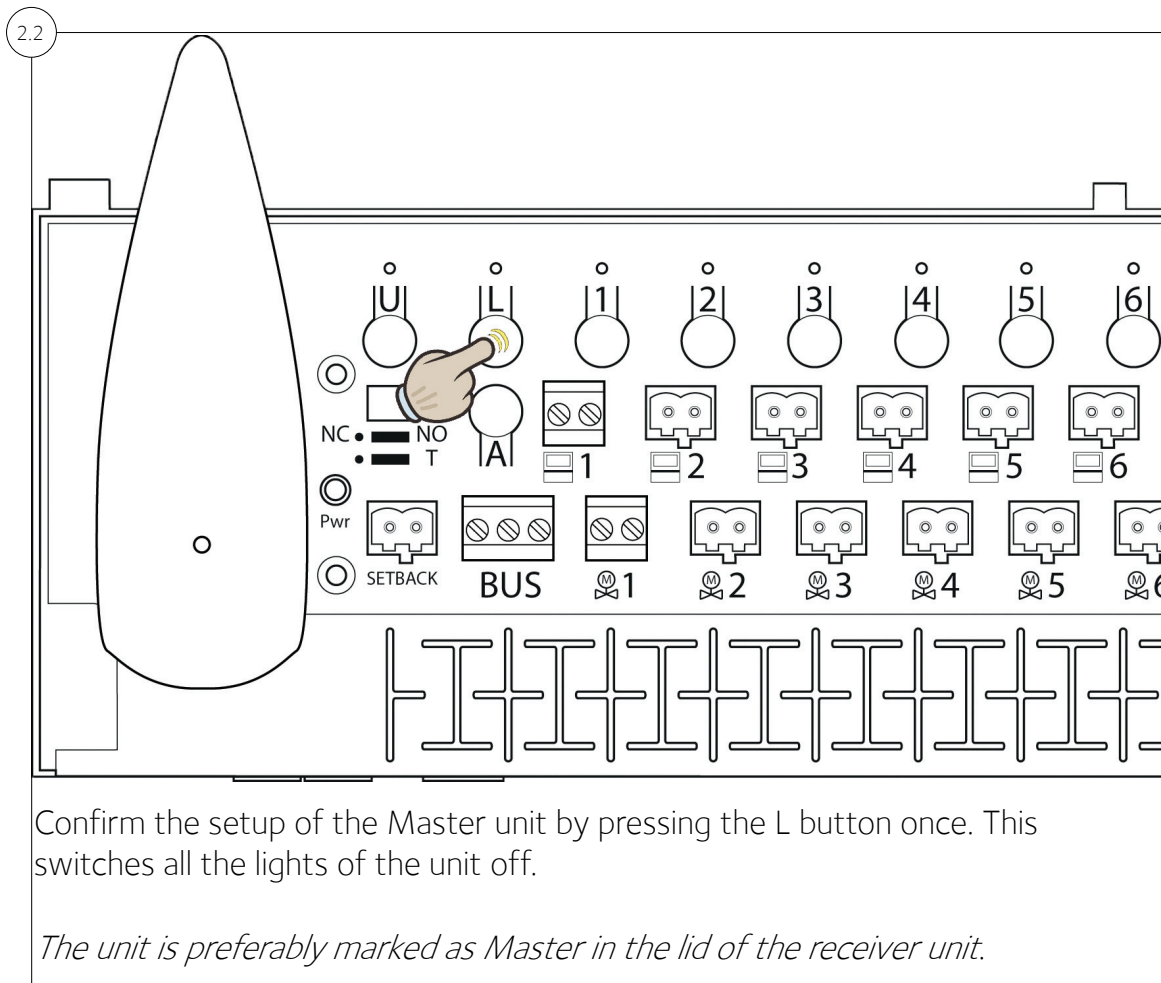
Del 2 – Setup of the Master unit

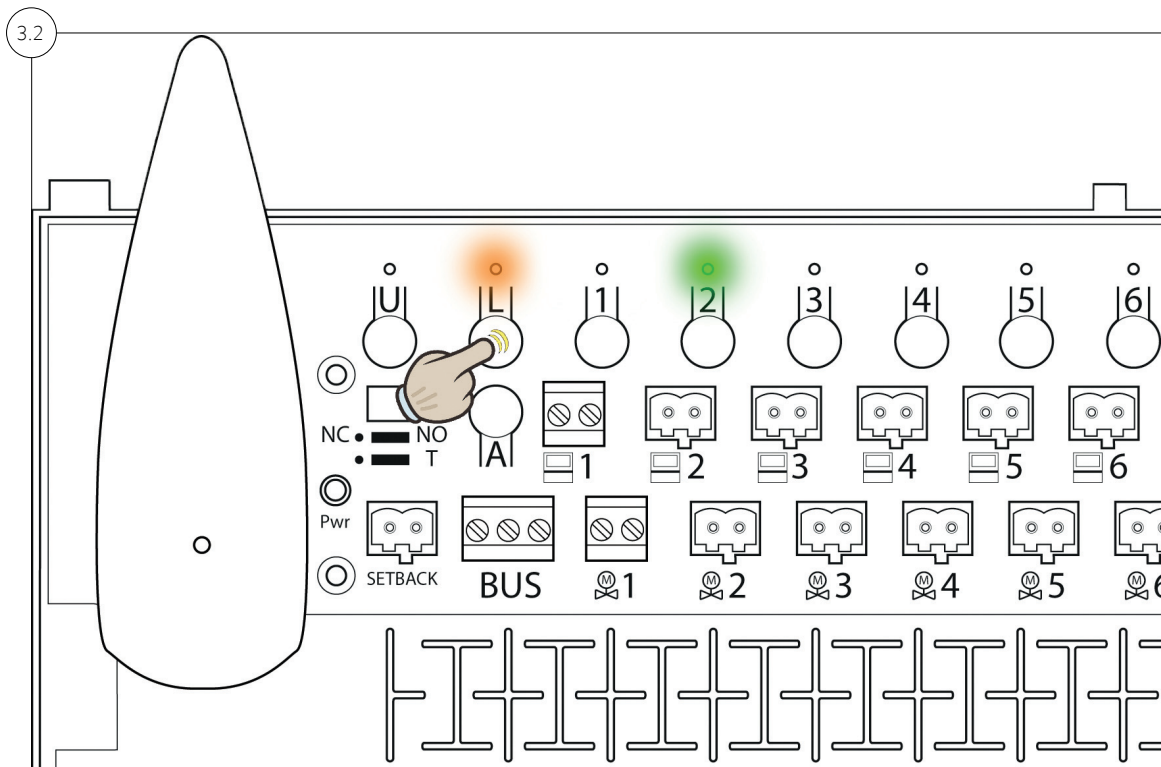
NOTE: THIS PART OF THE SETUP PROCEDURE SHOULD BE PERFORMED IN ALL SYSTEMS.



The Master unit is setup by pressing and holding the L and A buttons until the lights of the receiver unit lights up to a solid green light. This shows that the unit is set as Master.

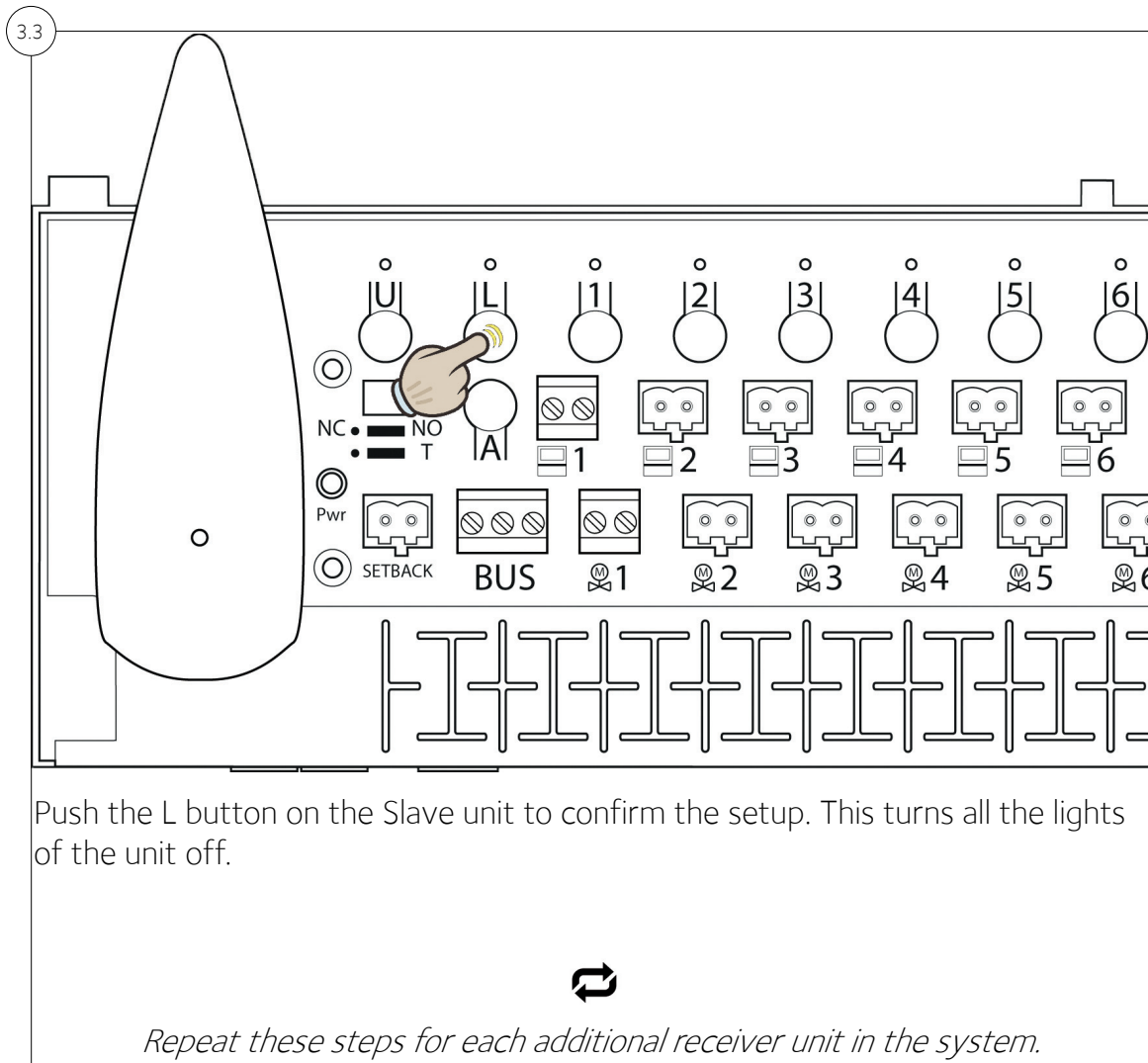
In a system containing several receiver units, one of these is to be assigned as being the Master unit.

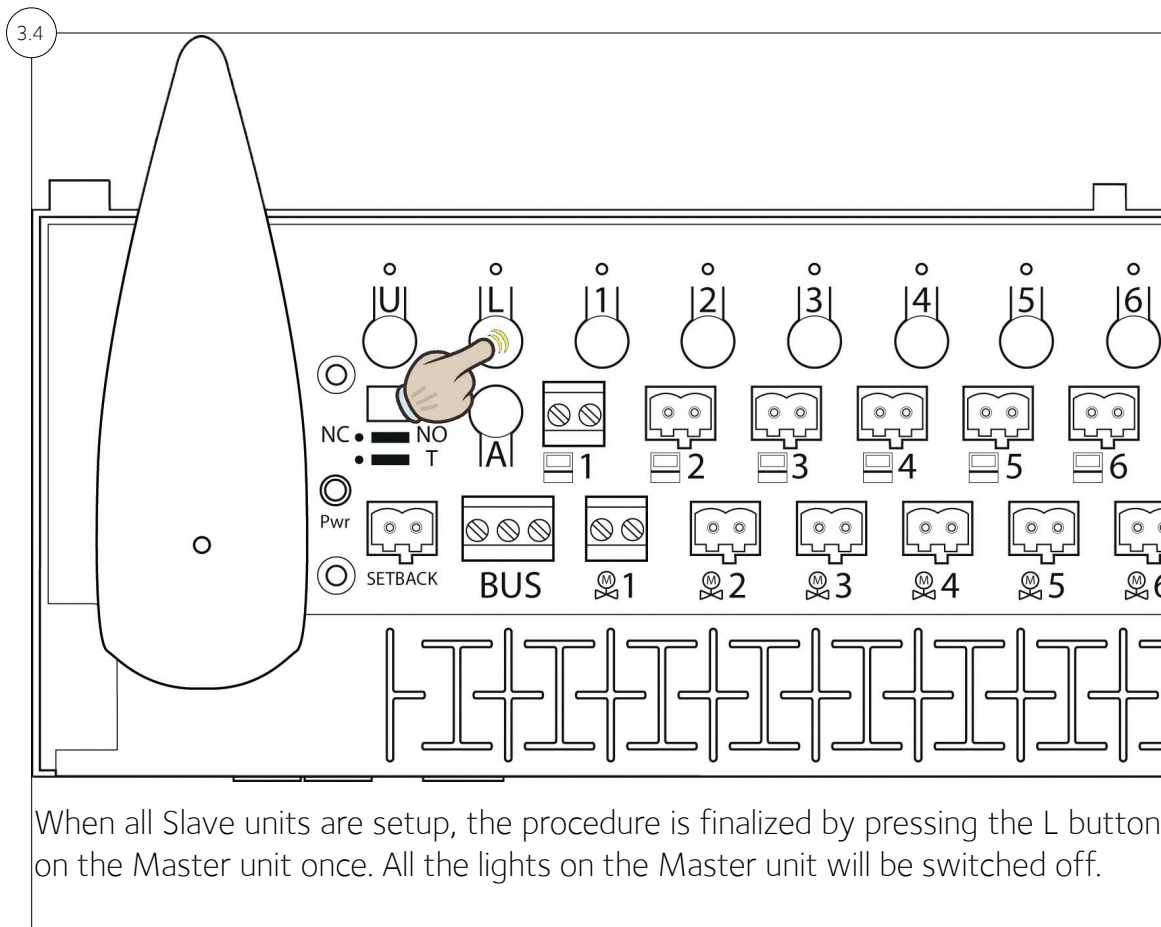




Hold the L button on one of the receiver units that are to be set as Slaves until the L light turns orange. The light for the channel which is assigned to the receiver unit turns on to a green light. Slave units are assigned a number ranging from 2 to 8.

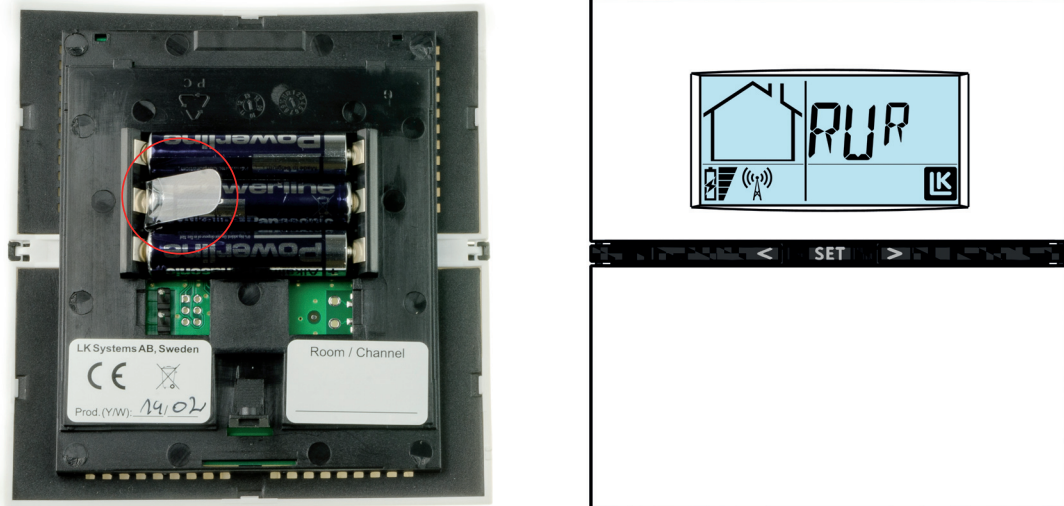
The receiver unit is preferably marked as a Slave and its assigned number in the lid of the receiver unit.





Del 4 – Setup of room thermostats

4.1



Prepare the thermostats of the system.

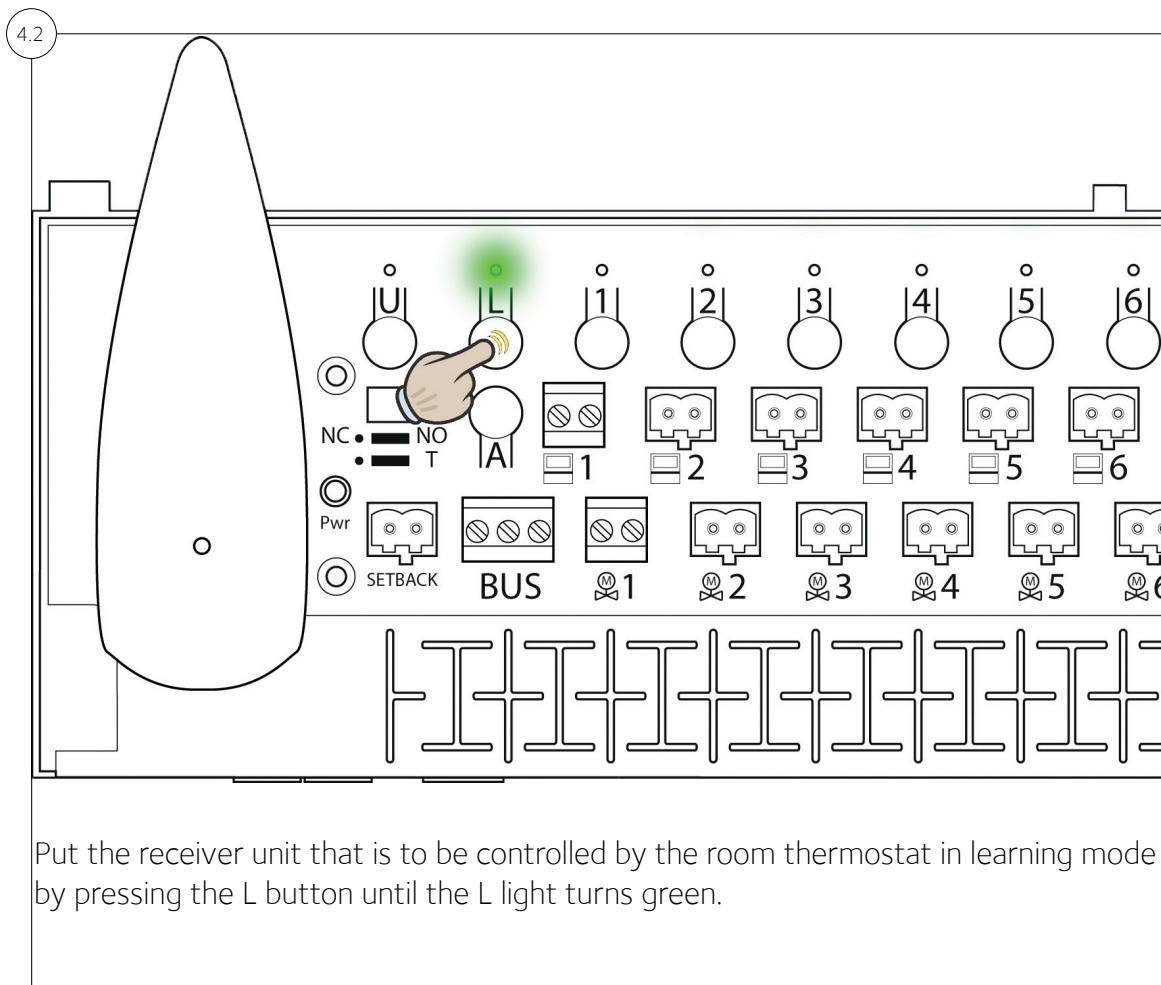
For wireless thermostats:

Remove the plastic insulation from the battery compartment (marked in the red circle). The room thermostat display will show RUR.

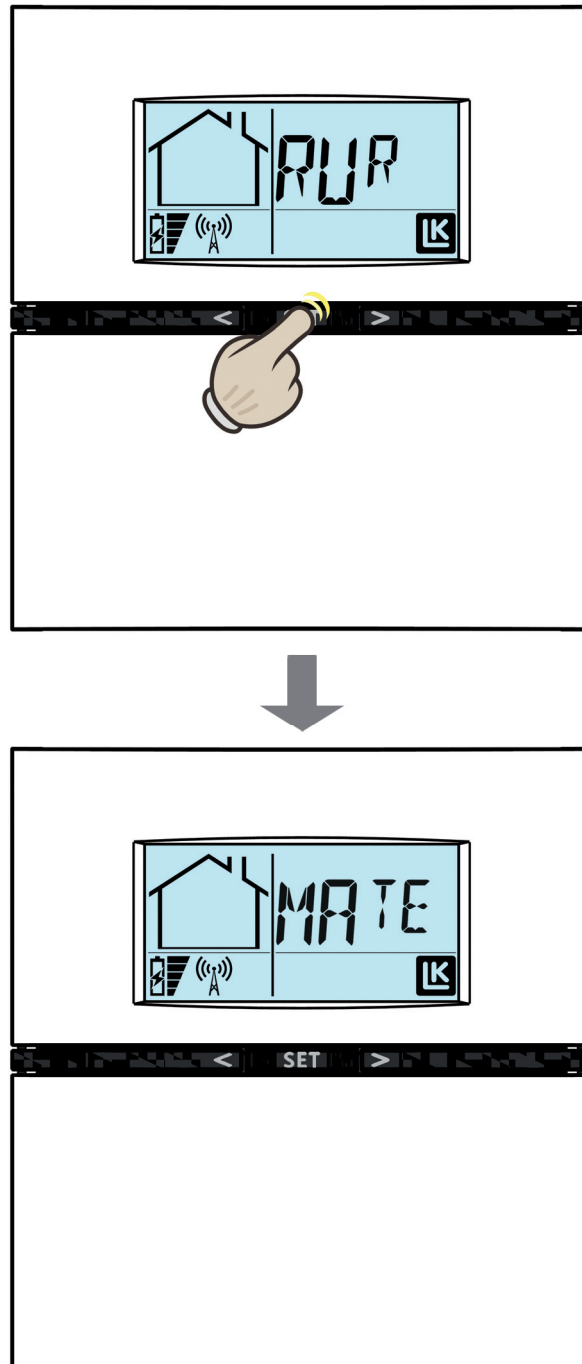
Wired room thermostat:

Check that the room thermostat is connected to the receiver. The room thermostat display will show RUW.

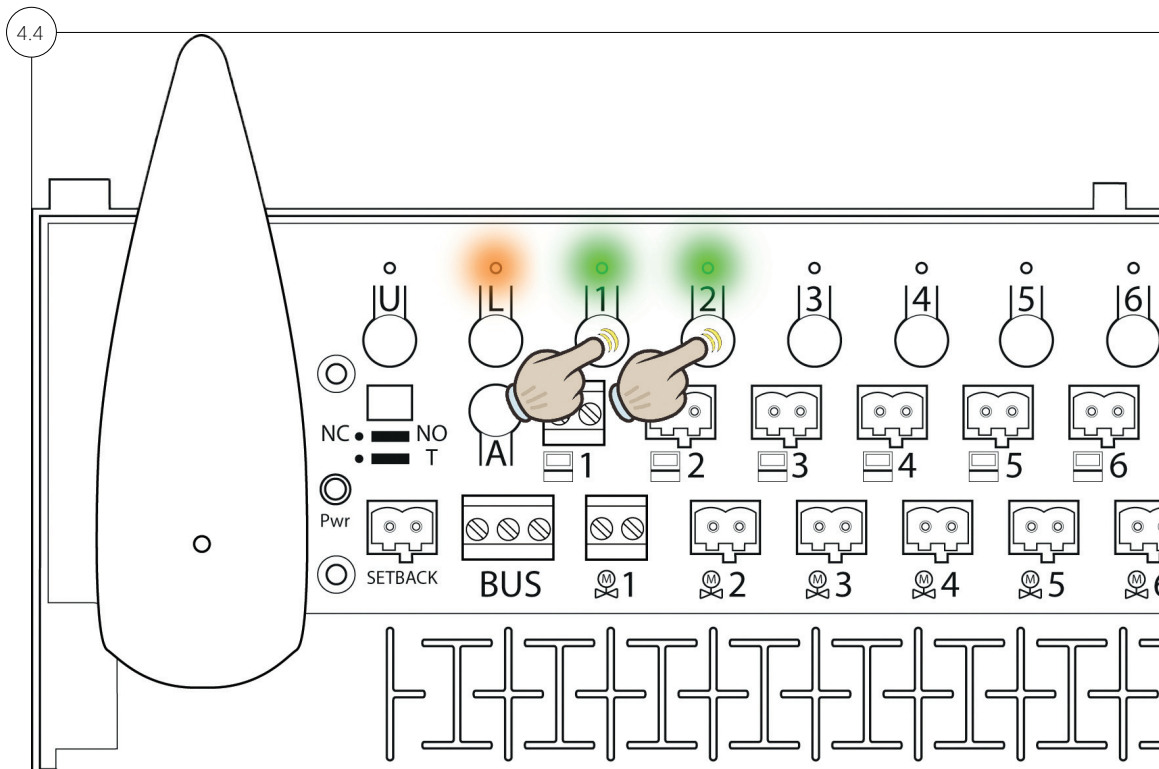
Note: The installation of the room thermostats is the same whether it is a wireless or wired connection to the receiver.



4.3



On the thermostat, hold SET until the display shows MATE.

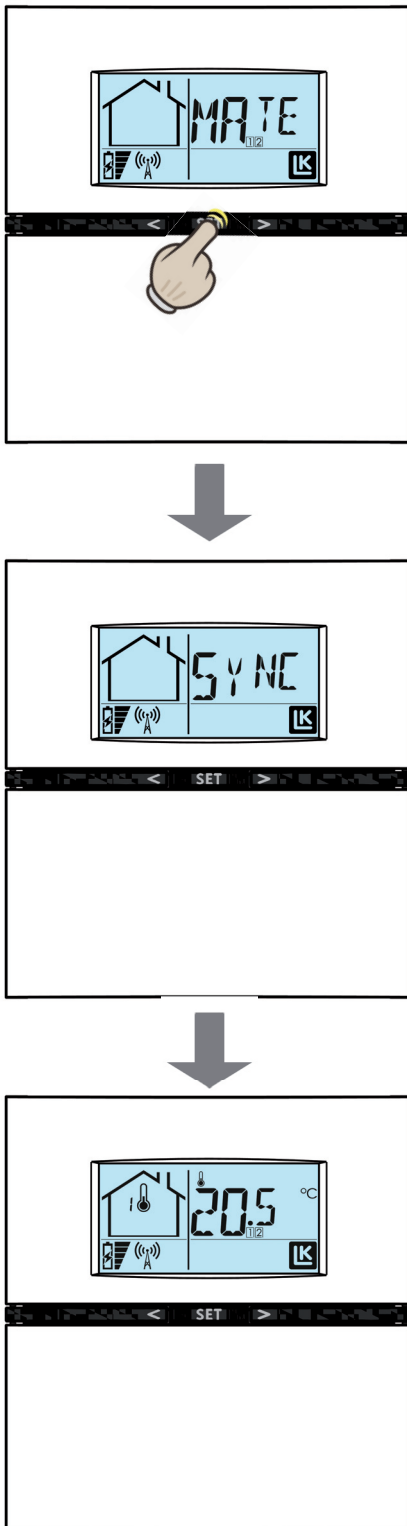


The lights of the receiver unit turn on to an orange light for the L light and a solid green for the channel lights. Choose the channel or channels by pressing the corresponding channel buttons (1 – 8). To show that a channel has been chosen the light for that channel starts to blink.

Press the channel button again to undo a choice of channel.

Already occupied channels are shown by an orange light.

4.5



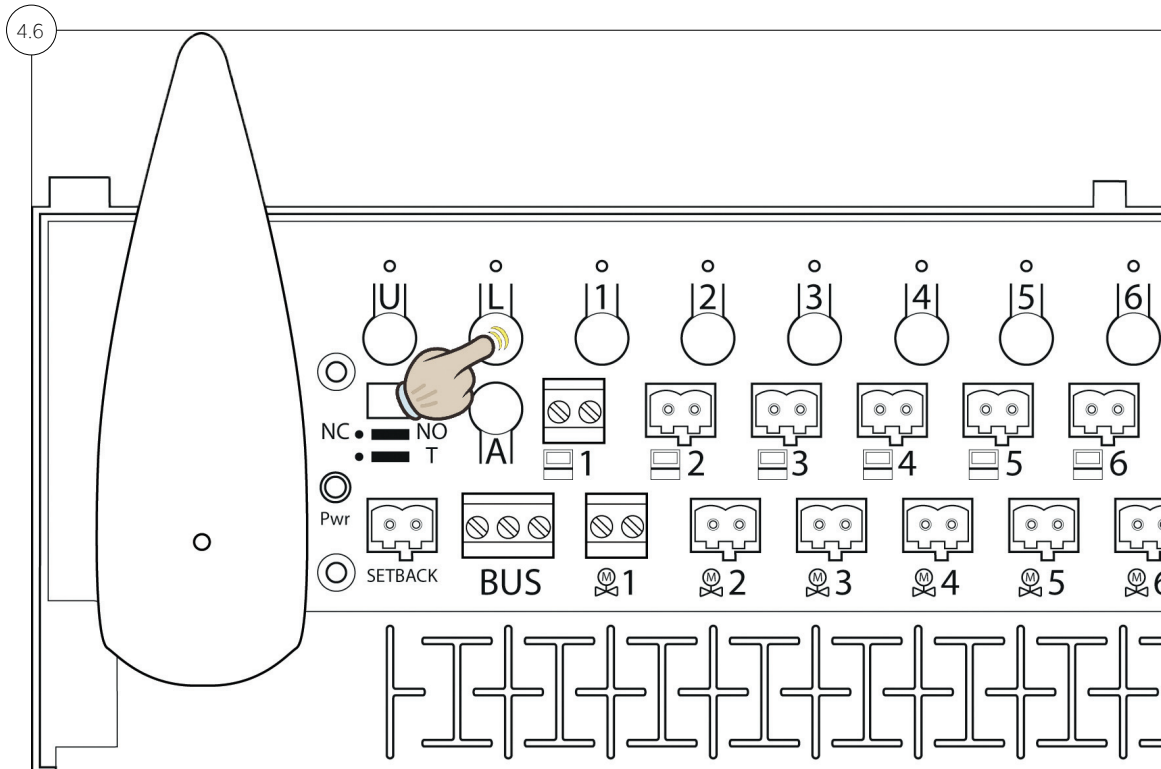
When the channels for the thermostat has been chosen this is confirmed by pressing the SET button of the thermostat. The display will then show SYNC while synchronizing with the receiver unit (this might take a while).

If this process takes an unreasonable long time the synchronizing can be restarted by pressing SET once more.

When the synchronizing process is done the display will show the standard mode showing temperature and other miscellaneous information. This confirms that the setup is completed for this thermostat.



Repeat the steps for each thermostat that is to be connected to this receiver unit.



When all the thermostats are setup the process is completed by pressing the L button on the receiver unit once.

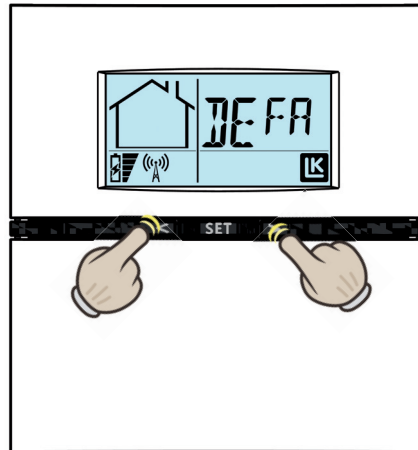
Repeat Part 4 of this Quick Guide for every receiver unit in the system.

The installation of ICS.2 is completed when all the thermostats are setup together with their respective receiver unit,

Resetting of ICS.2 Systems

Resetting Thermostats

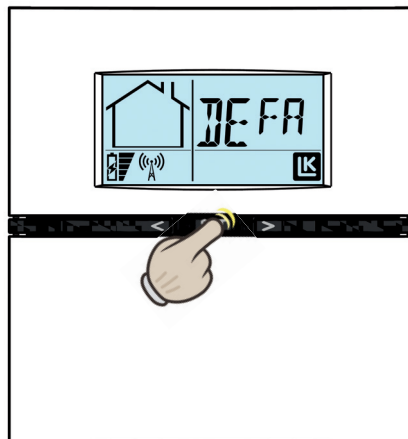
1.1



If a thermostat for some reason no longer is communicating with its receiver unit, the thermostat needs to be reset and setup once more.

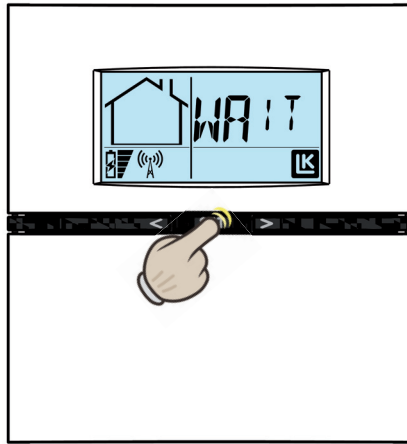
To begin resetting a thermostat, hold both the left and right arrow buttons until the display shows DEFA.

1.2



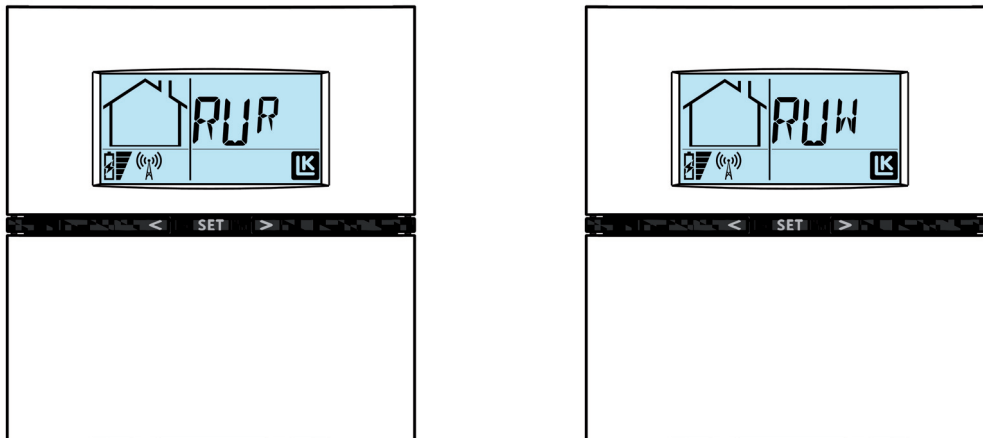
Confirm by pressing the SET button once.

1.3



If the thermostat can't communicate with its receiver unit during the reset, the display will show WAIT during a longer period. If this happens push both the left and right arrow button once more to confirm the reset.

1.4



When the reset is completed the thermostat will return to its factory default mode.

Wireless thermostats will display RUP

Wired thermostats will display RUW

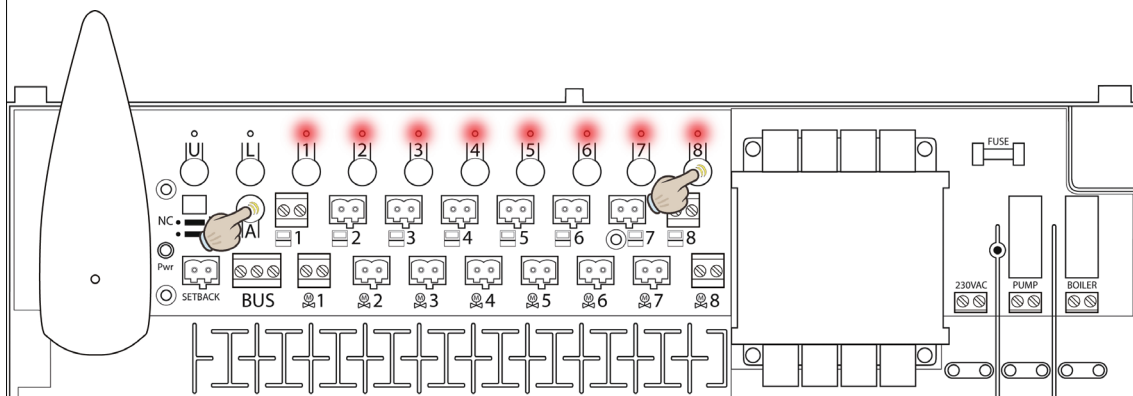
1.5



Remove one of the batteries for about 15 seconds to make sure the reset is completely carried out. Mind the polarity of the batteries and make sure that it remains the same when the battery is put back in.

Resetting Receiver Units

2.1



To reset a receiver unit, hold both the A and 8-buttons (A and 1 for RF 1 units) for about 10 seconds until all the channel lights flashes red for a brief moment.

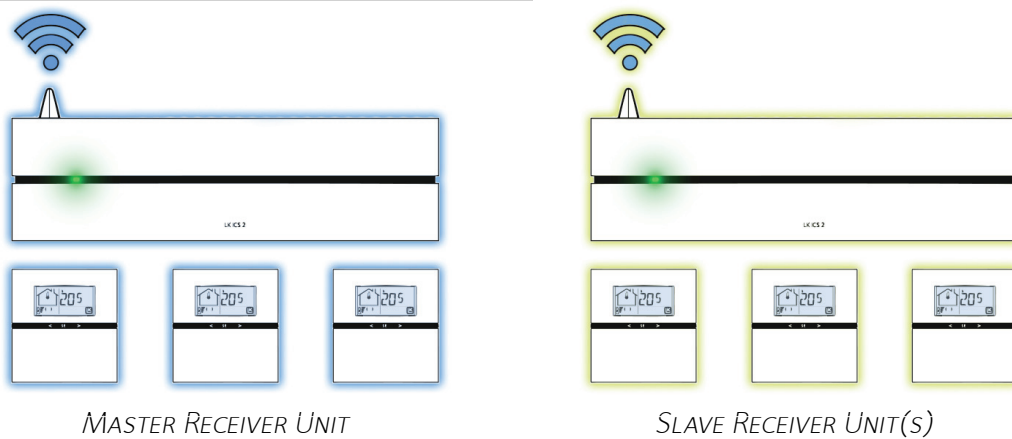
This erases all connections to all the thermostats paired to this receiver unit as well as all other receiver units. These connections needs to be setup again for the system to function as intended.

2.2



Disconnect the power to the receiver unit for about 30 seconds to make sure the reset is fully completed.

2.3



NOTE: If you reset the Master receiver unit in a system, all the Slave receivers needs to be reset as well.