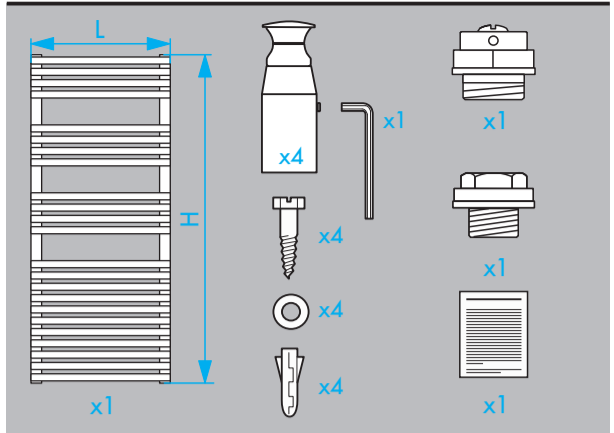
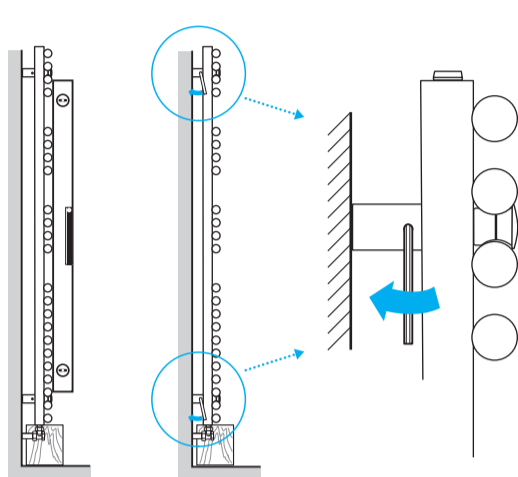
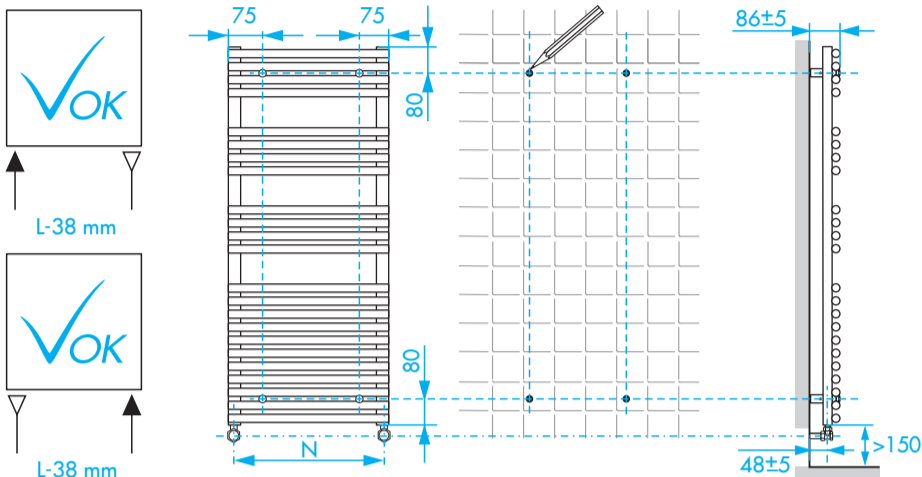
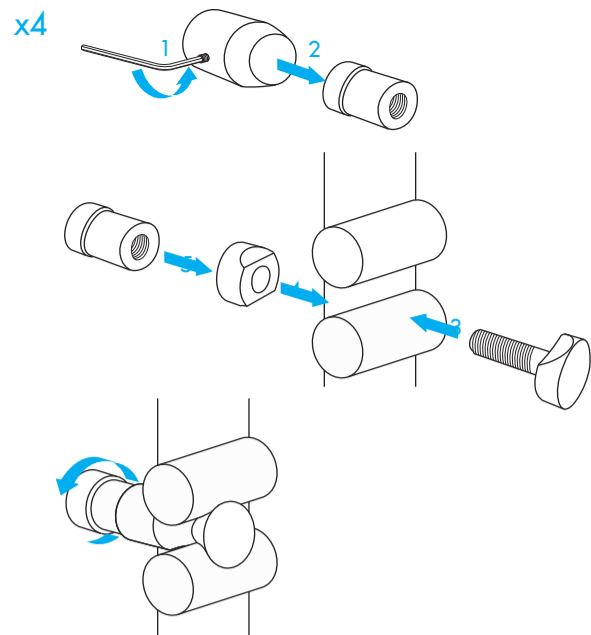
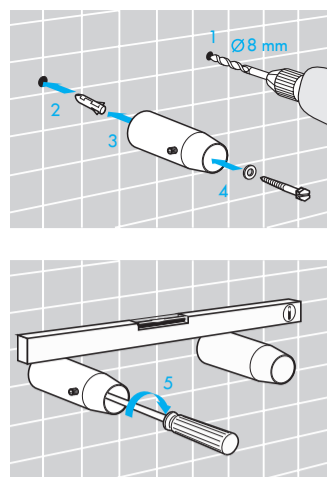
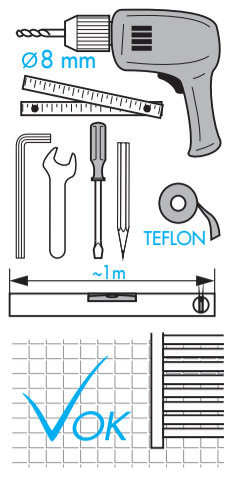
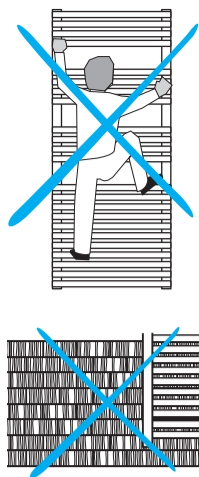


TYPE MP30

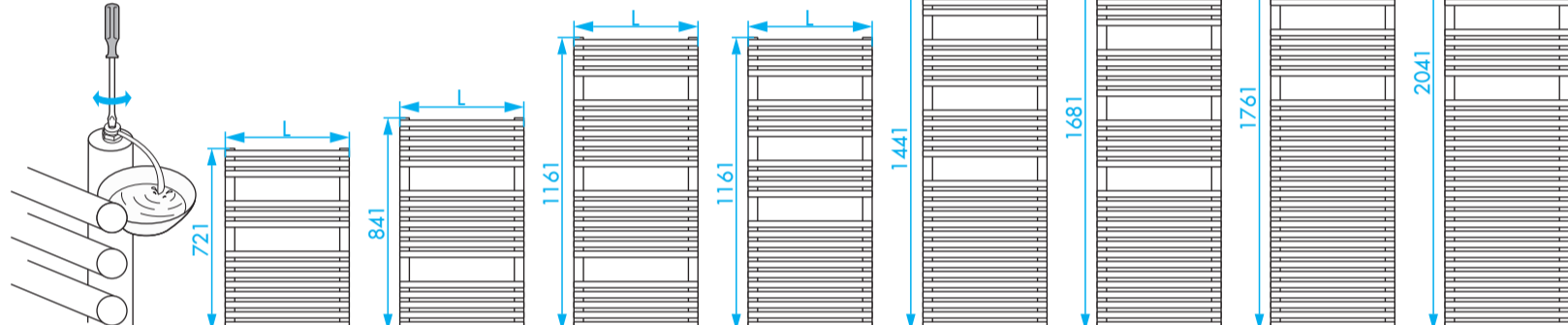
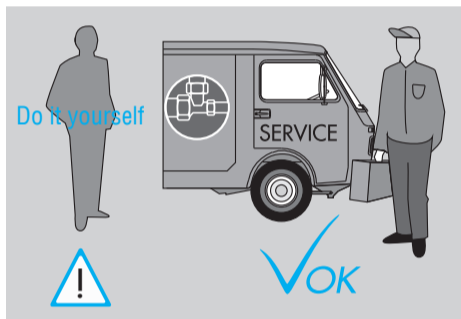
40004166



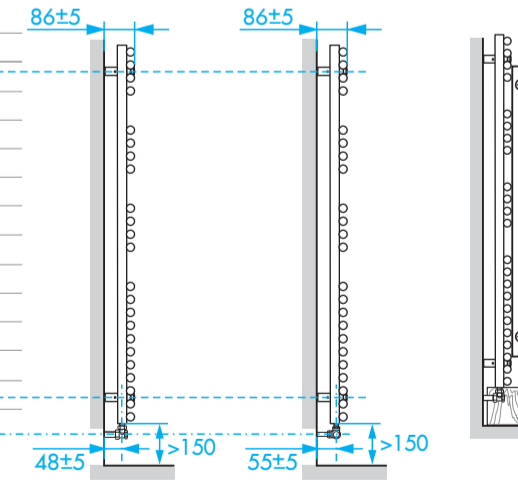
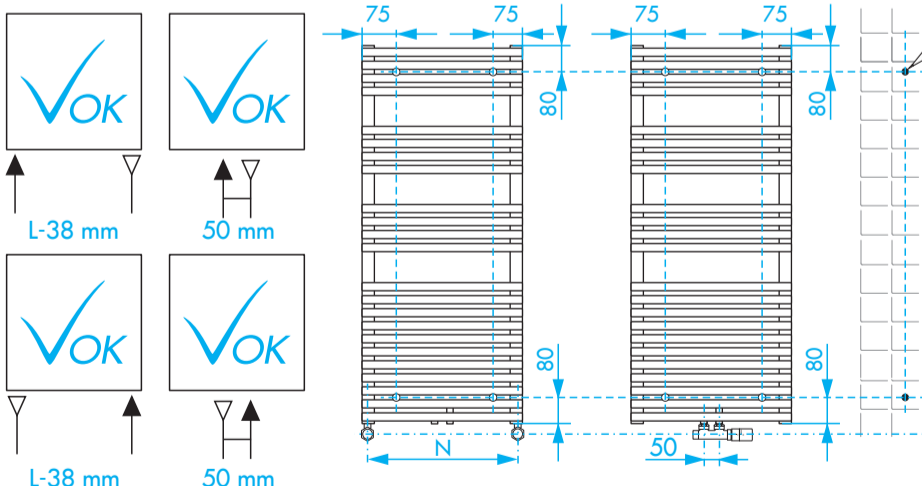
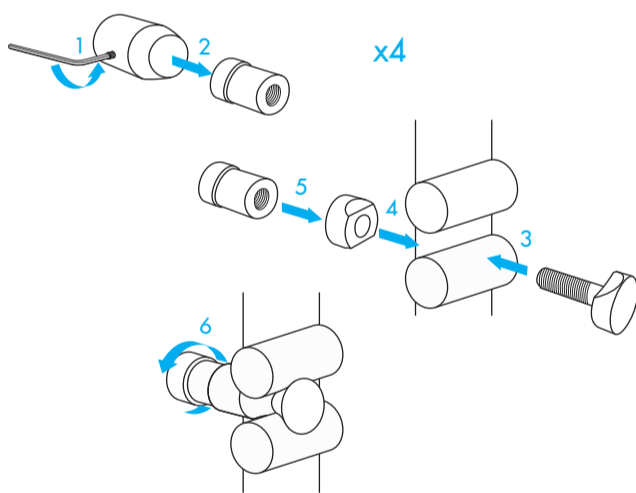
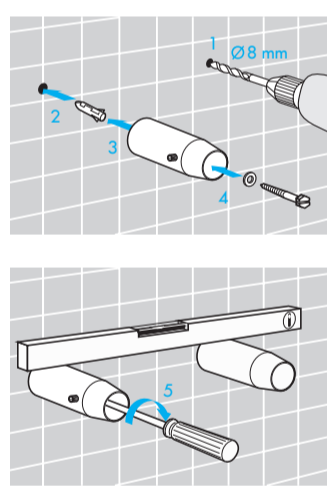
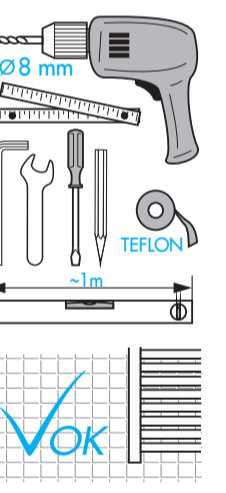
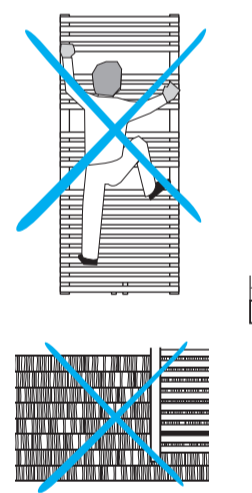
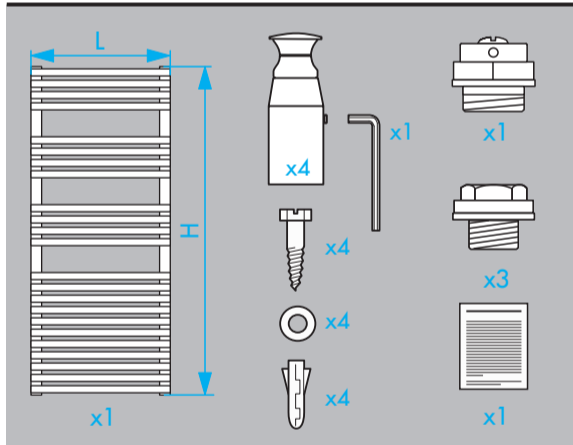
© Copyright by PBO 02/16



L	446	496	596	696	746
N	408	458	558	658	708



TYPE MP30-05



L	446	496	596	696	746
N	408	458	558	658	708

