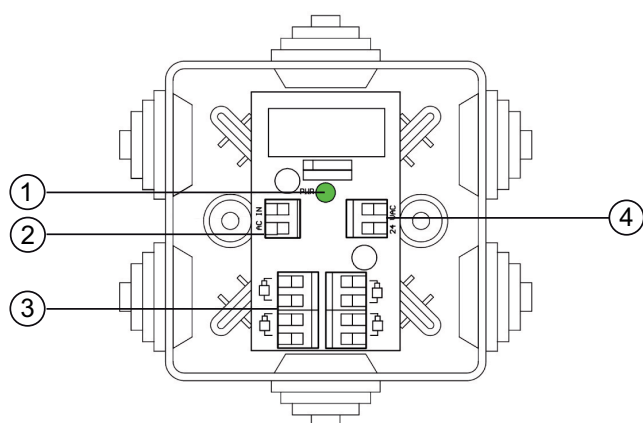


LK Actuator Relay 24 V

DESIGN

The LK Actuator Relay 24 V is intended for use when up to 12 x LK Actuators 24 V need to be connected to one actuator output in the LK Connection Box or LK Receiver ICS.2.

The LK Actuator Relay is activated from optional actuator output in the LK Receiver ICS.2 or LK Connection Box NO, thereby enabling up to 12 actuators to be controlled from the same channel/thermostat. The LK Actuator Relay 24 V is supplemented with LK Transformer 230/24 V. Either the LK Actuator 24 V NO (normally open) or the LK Actuator 24 V NC (normally closed) can be connected to the LK Actuator Relay 24 V. All LK Actuators 24 V that are connected must be of the same type.



1. LED. Lit LED indicates that the supply voltage is active.
2. Plint terminal for connection of control signal 24 V.
3. Plint terminal for connection of LK Actuator 24 V.
4. Plint terminal for connection of LK Transformer 230/24 V.

ASSEMBLY

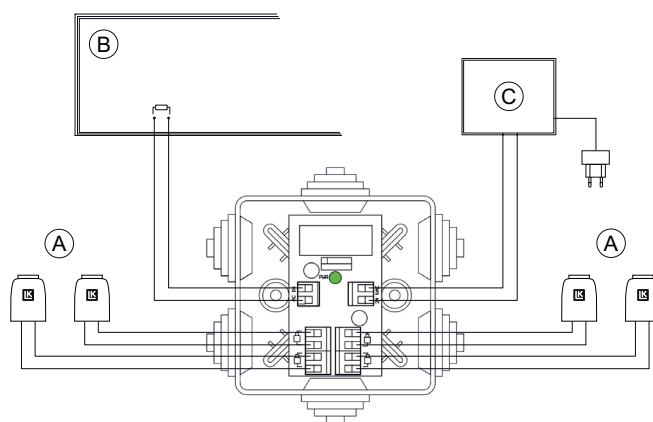
The LK Actuator Relay 24 V is wall-mounted with appropriate screws. The LK Actuator Relay 24 V should be mounted in direct connection to the equipment it will control in order to avoid having to extend the cables to the actuators. Power is supplied to the LK Actuator Relay 24 V via LK Transformer 230/24 V, a 230 V socket must consequently be located where it is installed.

ELECTRICAL CONNECTION

Connect up to 12 x LK Actuator 24 V to the terminal marked with ("actuator symbol") in the LK Actuator Relay 24 V, see **A** in the wiring diagram below.

Connect a twin-wire to an optional actuator output in the LK Receiver ICS.2 or LK Connection Box to the terminal block marked ("AC IN") in the LK Actuator Relay 24 V, see **B** in the wiring diagram below.

Connect LK Transformer 230/24 V to the terminal marked with ("24 VAC"), see **C** in the wiring diagram below.



FUNCTIONAL TEST

On completion of the installation a functional test shall be executed:

1. Turn up the thermostat that controls/activates the LK Actuator Relay 24 V to MAX. Check that the actuator opens. It takes about 6 minutes before the actuator opens.
2. Turn down the thermostat that controls/activates the LK Actuator Relay 24 V to MIN. Check that the actuator closes. It takes about 6 minutes before the actuator closes.

CHECKING FUSE

The LK Actuator Relay 24 V is equipped with an LED marked PWR that indicates supply voltage. If this LED is not on, the fuse in the LK Transformer 230/24 shall be checked.

Pull out the plug to cut the power source.

The fuse is located on one of the transformer's ends under a cover marked "Fuse". Use a screwdriver that fits the fuse holder. Push and turn counter-clockwise to remove the holder and the fuse. Replace the fuse with the same type/size T6.3A/250V.

TECHNICAL DATA

Article name	LK Actuator Relay 24 V
Article no.	241 98 99
Protection class	IP 44
Safety class	III
Supply voltage	24 V AC 50/60 Hz (Via LK Transformer)
Max. load	6 A, 24 V AC
Max. number of actuators	12
Dimensions	108 x 108 x 45